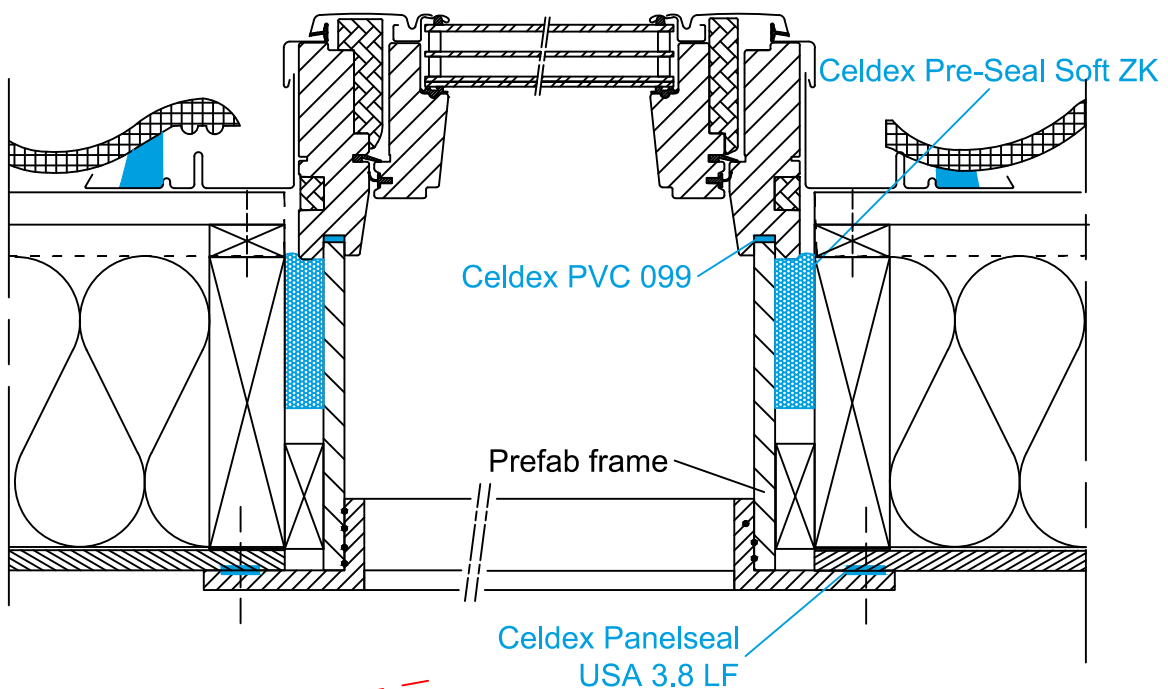


GETEST DIN 4108-7
Airseal tape getest ENEC duurzaamheid

GETEST QV10
Pre-Seal (SHR rapport 12.0141.009-7 650Pa)



GETEST QV10
PVC097/099 (SHR rapport 140187-3)